

# Product data sheet

Specifications



soft starter for asynchronous motor,  
Altistart 01, ATS01, 22A, 380 to  
415V, 7.5 to 11kW

ATS01N222QN

Product availability: Non-Stock - Not normally stocked in  
distribution facility

**Price\*: 262.80 USD**

## Main

Range of Product	Altistart 01
Product or Component Type	Soft starter
product destination	Asynchronous motors
Product Specific Application	Simple machine
Device short name	ATS01
Phase	3 phase
[Us] rated supply voltage	380...415 V - 10...10 %
Motor power kW	11 kW, 3 phase 380...415 V 7.5 kW, 3 phase 380...415 V
IcL starter rating	22 A
Utilisation category	AC-53B EN/IEC 60947-4-2
Current consumption	110 A at nominal load
Type of start	Start with voltage ramp
Power dissipation in W	124.5 W in transient state 4.5 W at full load and at end of starting

## Complementary

Assembly style	With heat sink
Function Available	Integrated bypass
Supply voltage limits	342...456 V
Supply frequency	50...60 Hz - 5...5 %
Network Frequency	47.5...63 Hz
Output voltage	<= power supply voltage
[Uc] control circuit voltage	Built into the starter
Starting time	1 s / 100 5 s / 20 10 s / 10 Adjustable from 1 to 10 s
Deceleration time symb	Adjustable from 1 to 10 s
Starting torque	30...80 % of starting torque of motor connected directly on the line supply
Discrete input type	Logic (L11, L12, BOOST) stop, run and boost on start-up functions <= 8 mA 27 kOhm
Discrete input voltage	24...40 V

Price is "List Price" and may be subject to a trade discount – check with your local distributor or retailer for actual price.

<b>Discrete input logic</b>	Positive L11, L12, BOOST < 5 V <= 0.2 mA > 13 V, >= 0.5 mA
<b>Discrete output current</b>	2 A DC-13 3 A AC-15
<b>Discrete output type</b>	Open collector logic LO1 end of starting signal Relay outputs R1A, R1C NO
<b>Discrete output voltage</b>	24 V 6...30 V) open collector logic
<b>Minimum switching current</b>	10 mA 6 V DC relay outputs
<b>Maximum switching current</b>	Relay outputs 2 A 250 V AC cos phi = 0.5 20 ms inductive Relay outputs 2 A 30 kV DC cos phi = 0.5 20 ms inductive
<b>Display type</b>	1 LED Green)starter powered up 1 LED Yellow)nominal voltage reached
<b>Tightening torque</b>	4.4 lbf.in (0.5 N.m) 16.8...22.1 lbf.in (1.9...2.5 N.m)
<b>Electrical connection</b>	4 mm screw clamp terminal - rigid 1 1...10 mm <sup>2</sup> AWG 8 power circuit Screw connector - rigid without cable end 1 0.5...2.5 mm <sup>2</sup> AWG 14 control circuit 4 mm screw clamp terminal - rigid 2 1...6 mm <sup>2</sup> AWG 10 power circuit Screw connector - rigid 2 0.5...1 mm <sup>2</sup> AWG 17 control circuit Screw connector - flexible with cable end 1 0.5...1.5 mm <sup>2</sup> AWG 16 control circuit 4 mm screw clamp terminal - flexible without cable end 1 1.5...10 mm <sup>2</sup> AWG 8 power circuit Screw connector - flexible without cable end 1 0.5...2.5 mm <sup>2</sup> AWG 14 control circuit 4 mm screw clamp terminal - flexible with cable end 2 1...6 mm <sup>2</sup> AWG 10 power circuit 4 mm screw clamp terminal - flexible without cable end 2 1.5...6 mm <sup>2</sup> AWG 10 power circuit Screw connector - flexible without cable end 2 0.5...1.5 mm <sup>2</sup> AWG 16 control circuit
<b>marking</b>	CE
<b>Operating position</b>	Vertical +/- 10 degree
<b>Height</b>	6.06 in (154 mm)
<b>Width</b>	1.8 in (45 mm)
<b>Depth</b>	5.2 in (131 mm)
<b>Net Weight</b>	1.23 lb(US) (0.56 kg)
<b>Compatibility code</b>	ATS01N2
<b>Motor power range AC-3</b>	7...11 kW 380...440 V 3 phase
<b>Motor starter type</b>	Soft starter

## Environment

<b>Electromagnetic compatibility</b>	Conducted and radiated emissions level B CISPR 11 Conducted and radiated emissions level B IEC 60947-4-2 Damped oscillating waves level 3 IEC 61000-4-12 Electrostatic discharge level 3 IEC 61000-4-2 EMC immunity level 3 EN 50082-1 EMC immunity level B EN 50082-2 Harmonics level 3 IEC 1000-3-2 Harmonics level 3 IEC 1000-3-4 Immunity to conducted interference caused by radio-electrical fields level 3 IEC 61000-4-6 Immunity to electrical transients level 4 IEC 61000-4-4 Immunity to radiated radio-electrical interference level 3 IEC 61000-4-3 Micro-cuts and voltage fluctuation IEC 61000-4-11 Voltage/current impulse level 3 IEC 61000-4-5
<b>Standards</b>	EN/IEC 60947-4-2
<b>Product Certifications</b>	CSA UL CCC C-tick GOST
<b>IP Degree of Protection</b>	IP20

<b>Pollution degree</b>	2 EN/IEC 60947-4-2
<b>Vibration resistance</b>	1 gn 13...150 Hz)EN/IEC 60068-2-6 1.5 mm peak to peak 3...13 Hz)EN/IEC 60068-2-6
<b>Shock resistance</b>	15 gn 11 ms EN/IEC 60068-2-27
<b>Relative humidity</b>	5...95 % without condensation or dripping water EN/IEC 60068-2-3
<b>Ambient air temperature for operation</b>	14...104 °F (-10...40 °C) without derating) 104...122 °F (40...50 °C) with current derating of 2 % per °C)
<b>Ambient air temperature for storage</b>	-13...158 °F (-25...70 °C) EN/IEC 60947-4-2
<b>Operating altitude</b>	<= 3280.84 ft (1000 m) without derating > 3280.84 ft (1000 m) with current derating of 2.2 % per additional 100 m

## Ordering and shipping details

<b>Category</b>	US10I1122392
<b>Discount Schedule</b>	0111
<b>GTIN</b>	3389110667318
<b>Returnability</b>	No
<b>Country of origin</b>	DE

## Packing Units

<b>Unit Type of Package 1</b>	PCE
<b>Number of Units in Package 1</b>	1
<b>Package 1 Height</b>	2.2 in (5.7 cm)
<b>Package 1 Width</b>	5.9 in (15.1 cm)
<b>Package 1 Length</b>	6.8 in (17.2 cm)
<b>Package 1 Weight</b>	23.7 oz (672 g)
<b>Unit Type of Package 2</b>	S03
<b>Number of Units in Package 2</b>	14
<b>Package 2 Height</b>	11.8 in (30 cm)
<b>Package 2 Width</b>	11.8 in (30 cm)
<b>Package 2 Length</b>	15.7 in (40 cm)
<b>Package 2 Weight</b>	21.940 lb(US) (9.952 kg)
<b>Unit Type of Package 3</b>	P06
<b>Number of Units in Package 3</b>	112
<b>Package 3 Height</b>	30.3 in (77 cm)
<b>Package 3 Width</b>	31.5 in (80 cm)
<b>Package 3 Length</b>	23.6 in (60 cm)
<b>Package 3 Weight</b>	194.76 lb(US) (88.34 kg)

## Contractual warranty

<b>Warranty</b>	18 months
-----------------	-----------

## Sustainability

**Green Premium™ label** is Schneider Electric's commitment to delivering products with best-in-class environmental performance. Green Premium promises compliance with the latest regulations, transparency on environmental impacts, as well as circular and low-CO<sub>2</sub> products.

**Guide to assessing product sustainability** is a white paper that clarifies global eco-label standards and how to interpret environmental declarations.

[Learn more about Green Premium >](#)

[Guide to assess a product's sustainability >](#)

## Well-being performance

✓ Reach Free Of Svhc

---

✓ Toxic Heavy Metal Free

---

✓ Mercury Free

---

✓ Rohs Exemption Information Yes

---

**Reach Regulation** [REACH Declaration](#)

---

**Eu Rohs Directive** Pro-active compliance (Product out of EU RoHS legal scope)  
[EU RoHS Declaration](#)

---

**China Rohs Regulation** [China RoHS declaration](#)

---

**Weee** The product must be disposed on European Union markets following specific waste collection and never end up in rubbish bins.

---

**California Proposition 65** WARNING: This product can expose you to chemicals including: Lead and lead compounds, which is known to the State of California to cause cancer and birth defects or other reproductive harm. For more information go to [www.P65Warnings.ca.gov](http://www.P65Warnings.ca.gov)

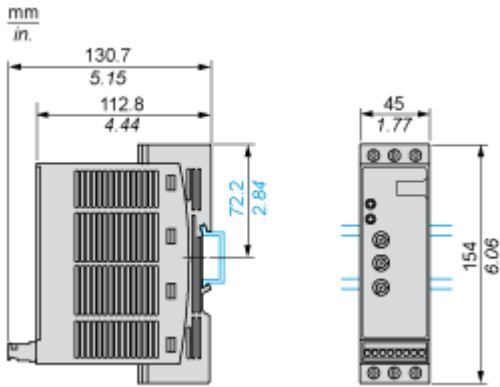
---

Dimensions Drawings

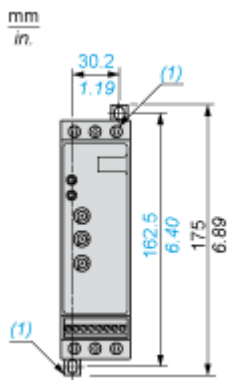
Dimensions

---

Mounting on Symetrical (35 mm) Rail



Screw Fixing

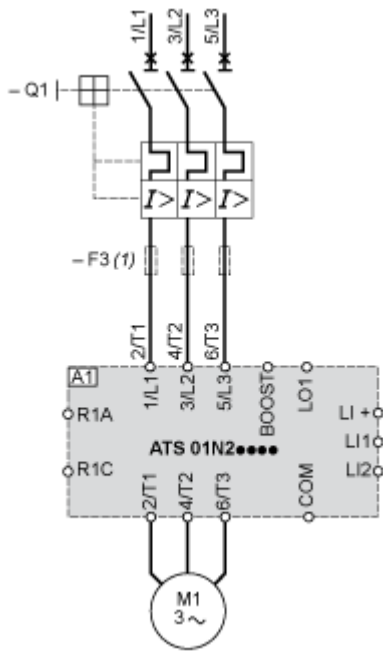


(1) Retractable fixings

Connections and Schema

Example of Manual Control

---



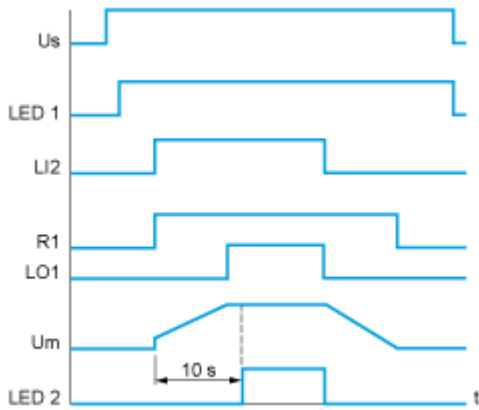
- A1 : Soft start/soft stop unit
- (1) For type 2 coordination
- Q1 : Motor circuit-breaker
- F3 : 3 fast-acting fuses

Technical Description

Function Diagram

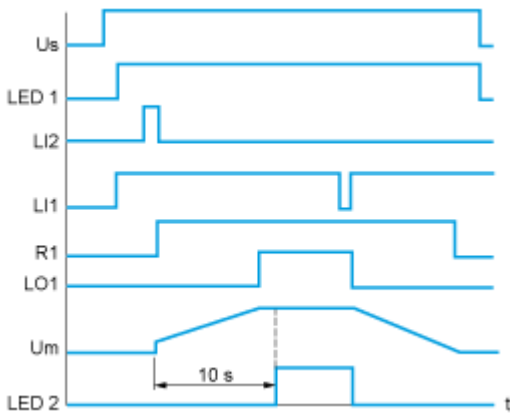
---

2-wire Control with Deceleration



- Us : Power supply voltage
- LED 1 : Green LED
- LI2 : Logic input
- R1 : Relay output
- LO1 : Logic output
- LED 2 : Yellow LED

3-wire Control with Deceleration



- Us : Power supply voltage
- LED 1 : Green LED
- LI2, LI1 : Logic inputs
- R1 : Relay output
- LO1 : Logic output
- Um : Motor voltage
- LED 2 : Yellow LED